



Electrical Systems - Interior Locations

Audi 80/90 - B3 & B4 Platform

Coupe, Sedan & Avant
including S2 & RS2

Rev01 - Paul Nugent, 7th September 2009



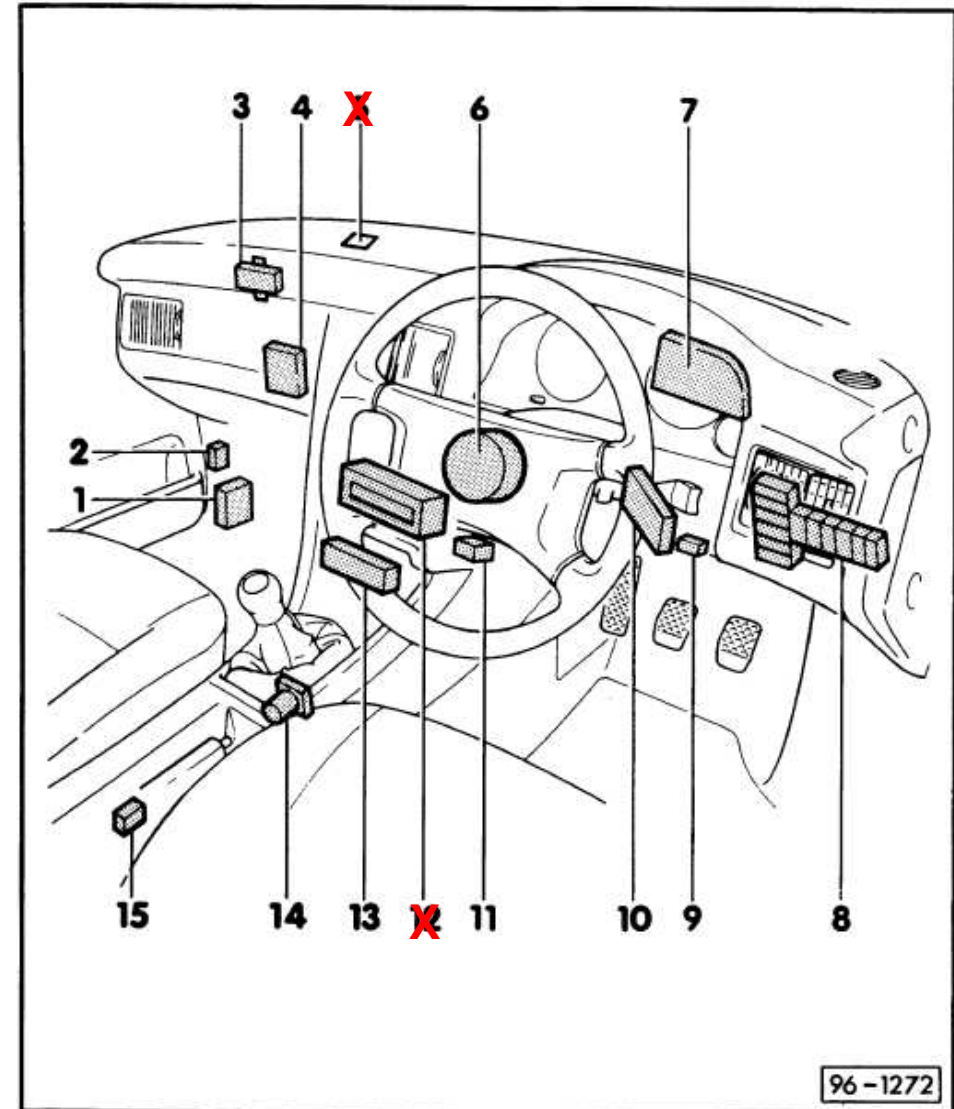
INDEX

- Cabin – RHD, All Variants : Pages 3-5
- Coupe : Pages 6-9
- Avant : Pages 10-12
- Sedan : Pages 12-15
- Cabin – LHD, All Variants : Page 16



RHD – Cabin, All B3/B4 Variants

1. ECU (NG engine only)
2. Altitude Sensor (**F96**)
3. Cruise Control (**J213**)
4. ECU (all other engines)
5. Climate temp sensor (Not RHD)
6. Airbag Igniter (**N95**)
7. On-board computer / Autocheck
8. Front auxiliary relay panel
9. Relay for indicators (**J2**)
10. ECU for automatic transmission (**J217**)
11. Instrument illumination booster (**J166**)
12. Climate head-unit (Not RHD)
13. Airbag triggering unit (**J178**)
14. Magnet for auto level lock (**N110**)
15. Handbrake warning switch (**F9**)





RHD Interior Items 1 - 4

1 – ECU (NG only)

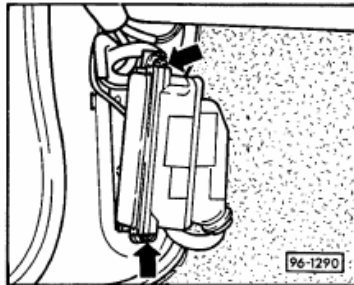


Fig. 2 - Control unit for electronic fuel injection with knock control J 154 (5-cylinder)

- under left-hand trim at bottom of left footwell

2 – F96

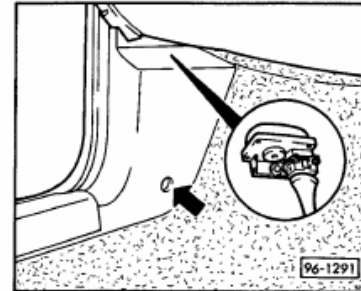


Fig. 3 - Altitude sender F 96 (5-cylinder)

- under left-hand trim at bottom of left footwell behind control unit for electronic ignition

3 – J213

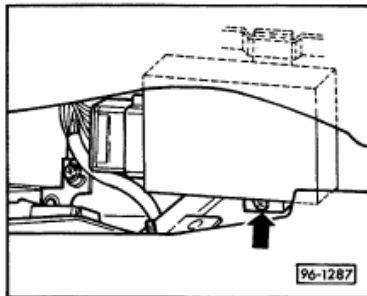


Fig. 4 - Control unit for cruise control system E 46/J 213

- above glove compartment (remove glove compartment)

4 - ECU

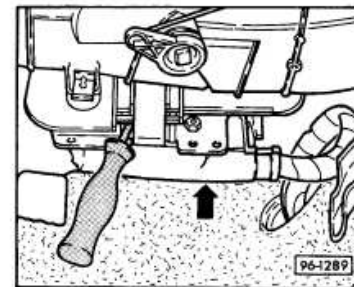


Fig. 1 - Control unit for electronic fuel injection

- in footwell, left, under trim in front of glove compartment (for removal snap lugs of supporting panel out of slots in plastic housing using a screw driver)

RHD Interior Items 9-11, 13

9 - J2

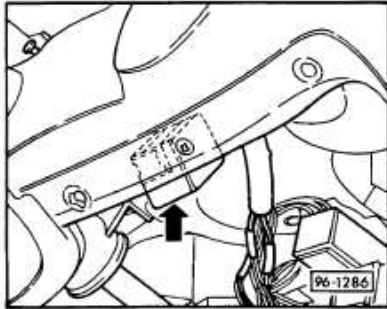


Fig. 5 - Relay for turn signals and emergency lights J 2

- right, on bottom edge of dash panel (unscrew shelf below dash panel at right-hand side)

10 – J217

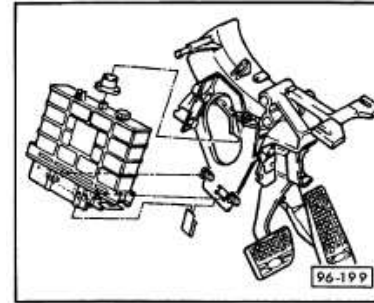


Fig. 6 - Control unit for four-speed automatic gearbox J 217

- instead of clutch pedal on pedal bracket

11 – J166

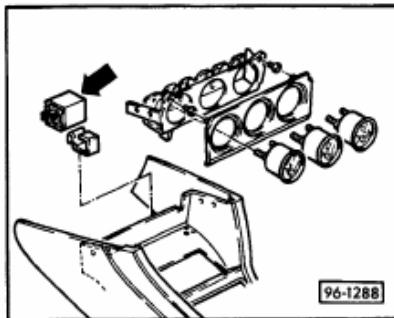


Fig. 7 - Instrument lighting amplifier J 166 (only with additional instruments up to 2/92)

- behind additional instruments (remove centre console)
- from 2/92 amplifier is combined with additional instruments

13 – J178

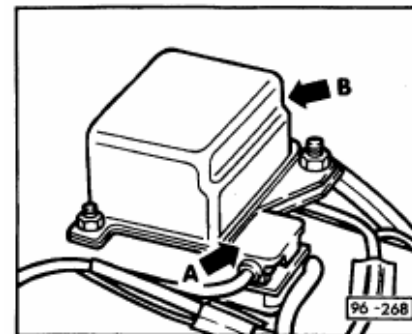


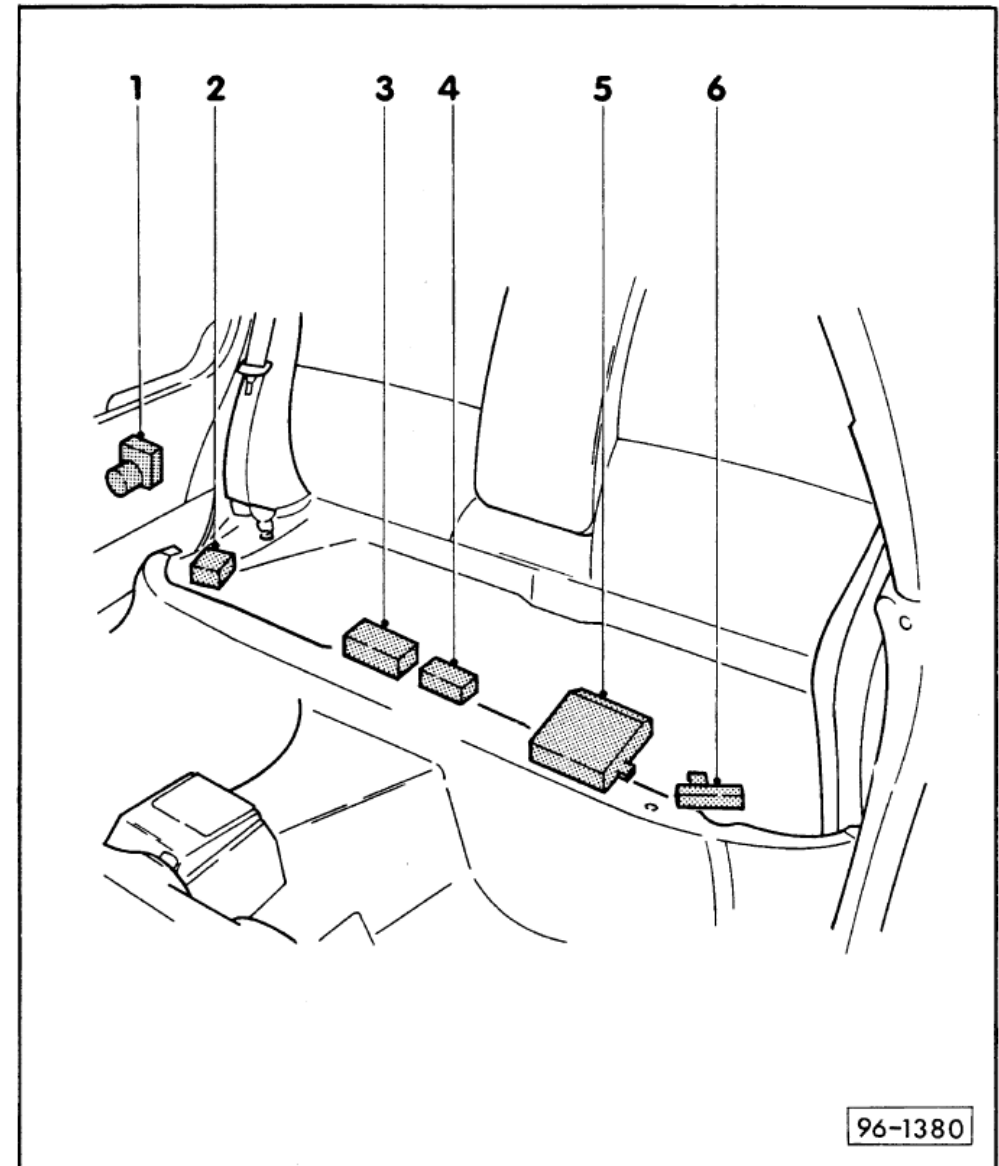
Fig. 8 - Airbag triggering unit J 178

- under centre console
- A - Connector
- B - Triggering unit



Coupe, Under Seat (w/o Battery)

1. Central Locking Pump (**V94**)
2. Servotronic Controller (**J236**) – Not ABY Coupe
3. Rear Differential Lock (**J187**)
4. Accelerometer switch for early ABS on 4WD, up to 07/92 (**F113**)
5. Control Unit for ABS (**J104**)
6. Rear Auxiliary Relays

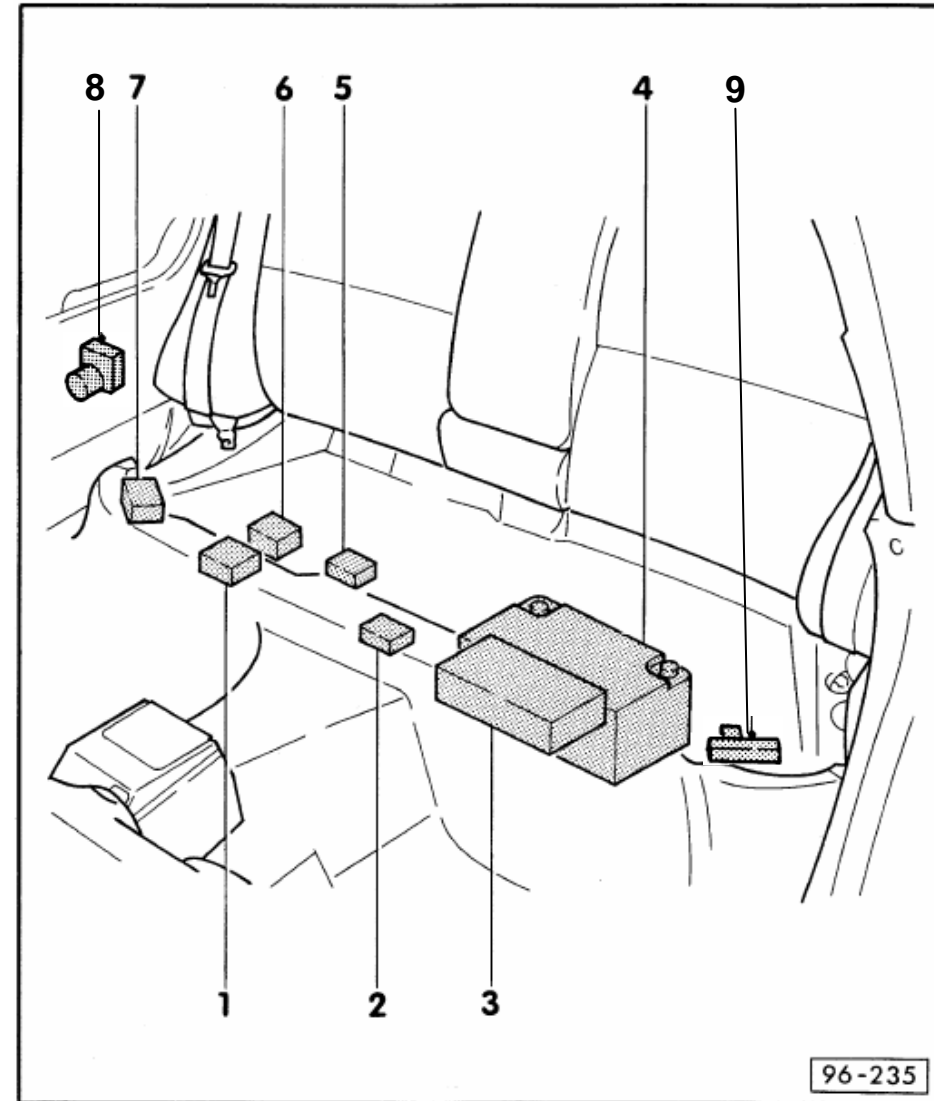


96-1380



Coupe, Under Seat (with Battery)

1. Rear Differential Lock (**J187**)
2. Accelerometer switch for early ABS on 4WD, up to 07/92 (**F113**)
3. Control Unit for ABS (**J104**)
4. Battery (LHD 3B and ABY engines)
5. Airbag Transformer (**N96**), up to 10/92
6. Airbag Reserve Batter (**J177**), up to 10/92
7. Servotronic Controller (**J236**) – Not ABY Coupe
8. Central Locking Pump (**V94**)
9. Rear Auxiliary Relays

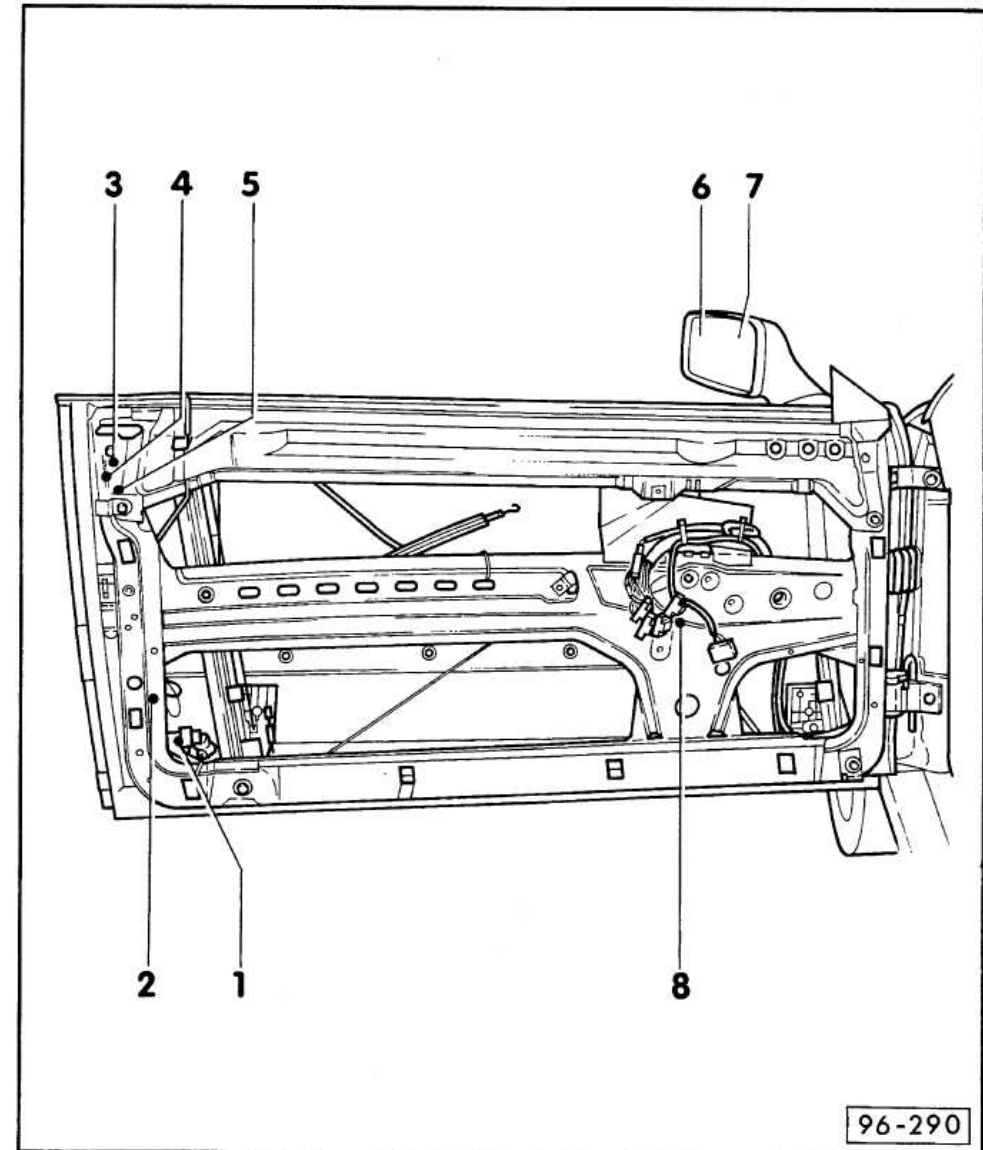




Coupe / Cabrio, Doors

1. Switch for central locking, left/right = **F59/F114**
2. Control unit for heated door locks, left/right = **J210/J211**
3. Switch for anti-theft alarm, left/right = **F121/F122**
4. Heated element for locks, left/right = **Z22/Z23**
5. Switch for heated door locks, left/right = **E125/E126**
6. Heated element for door mirror, left/right = **Z4/Z5**
7. Motor for adjustable mirror, left/right = **V17/V25**
8. Motor for electric windows, left/right = **V14/V15**

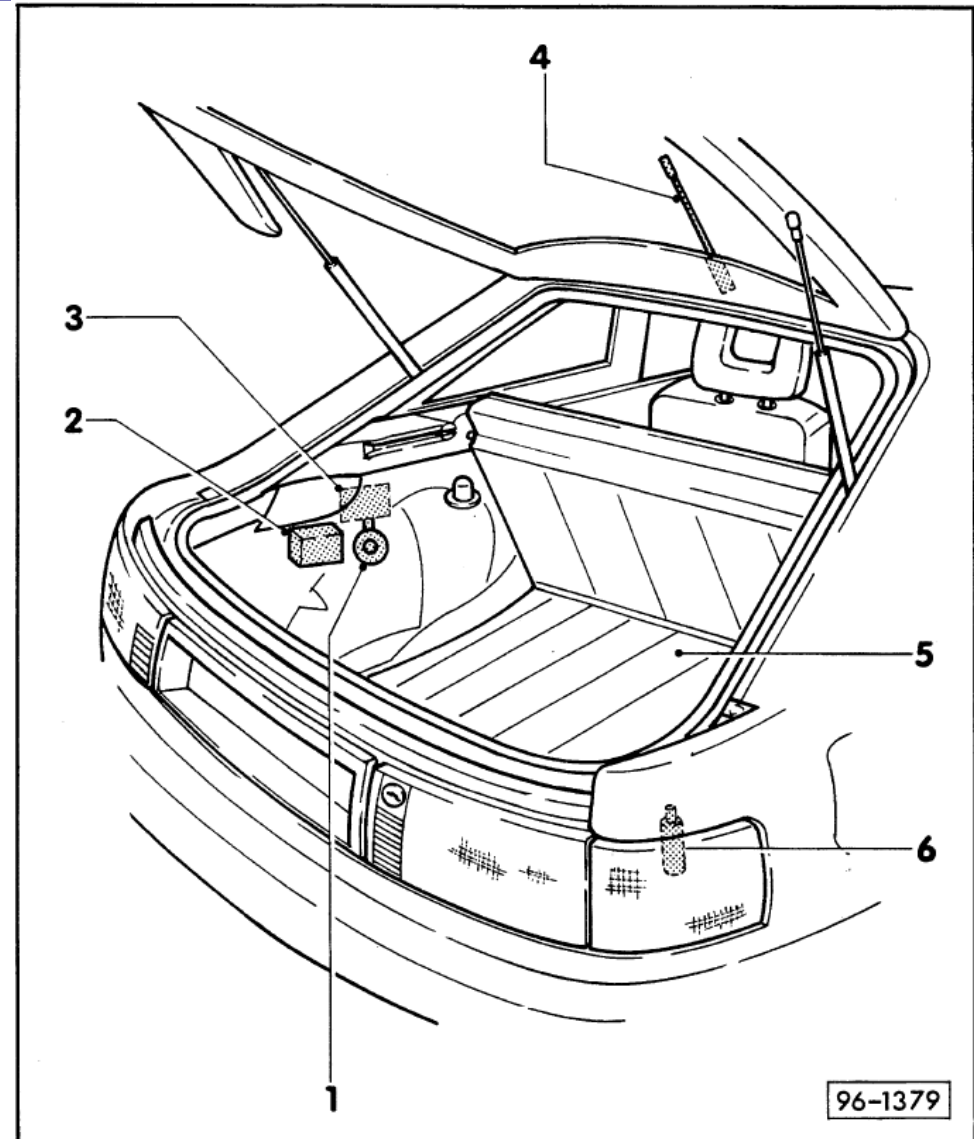
Note: Items 1-5 may not align correctly.





Coupe, Luggage Compartment

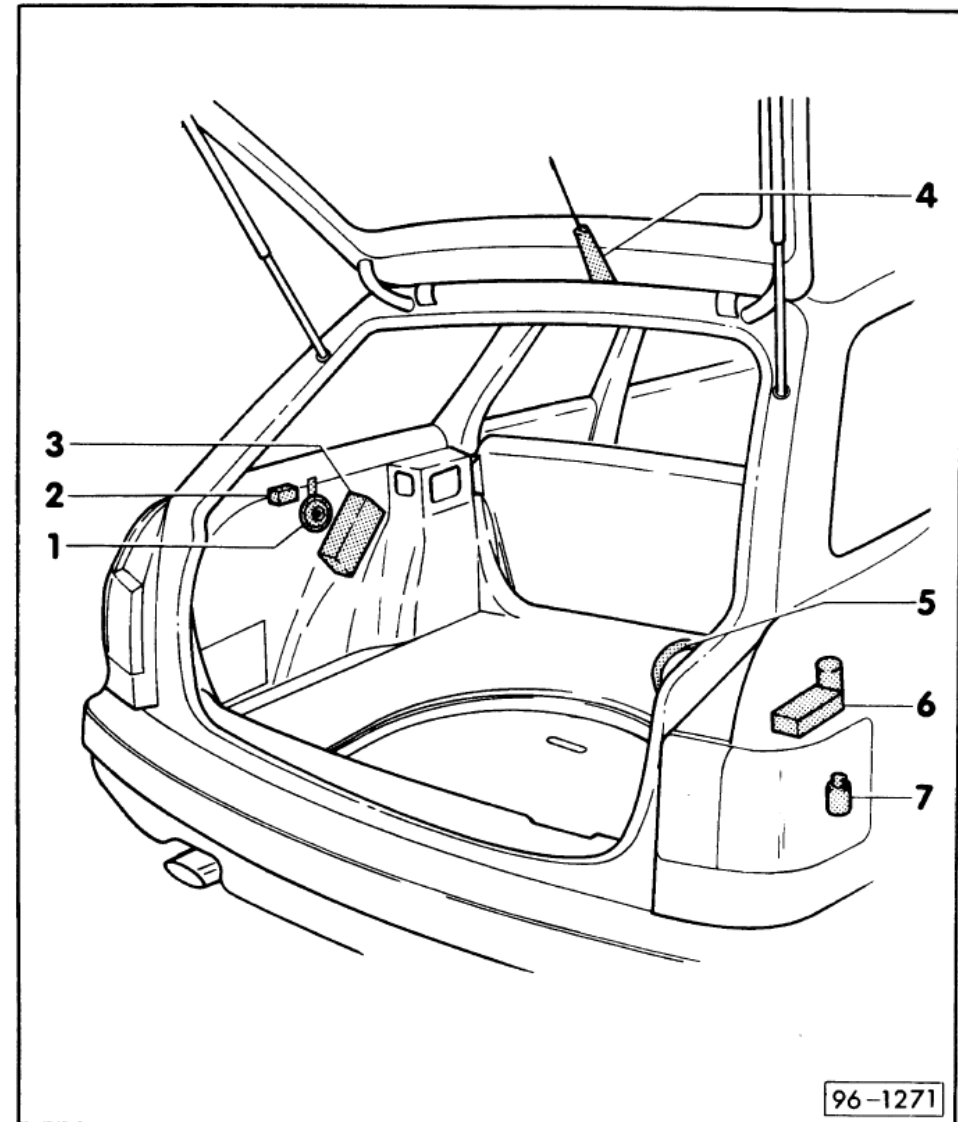
1. Horn (**H8**)
2. Alarm, Early Type (**J85**)
3. Rear bulb monitor (**J124**) for vehicles with Autocheck
4. Active Aerial (**V44**)
5. Fuel pump and fuel gauge sender, below cover (**G, G6**)
6. Rear washer pump (**V13**)





Avant, Luggage Compartment

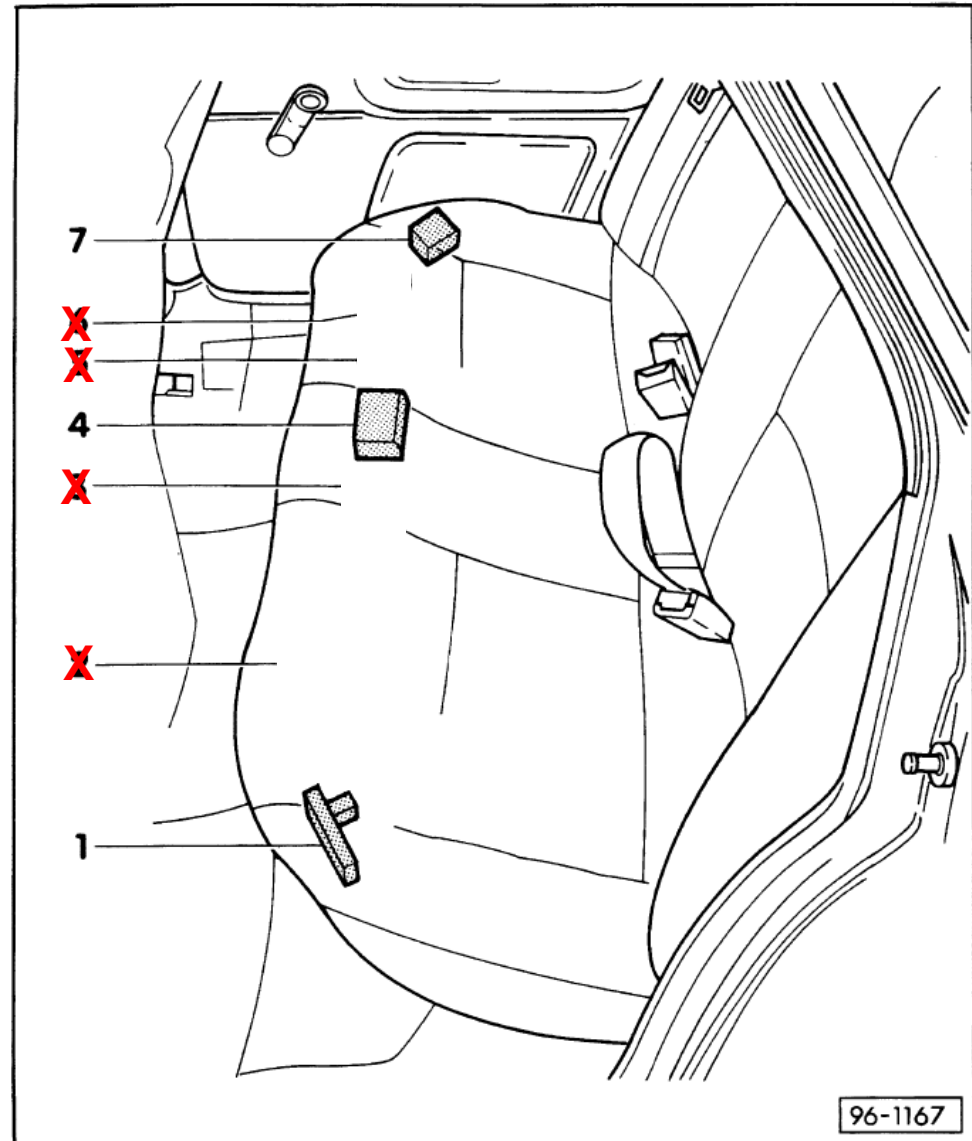
1. Horn (**H8**)
2. Rear bulb monitor (**J124**) for vehicles with Autocheck
3. Control unit for ABS (**J104**)
4. Active Aerial (**V44**)
5. Fuel pump and fuel gauge sender, below cover (**G, G6**)
6. Central locking pump (**V94**)
7. Rear washer pump (**V13**)





Avant, Under Rear Seats

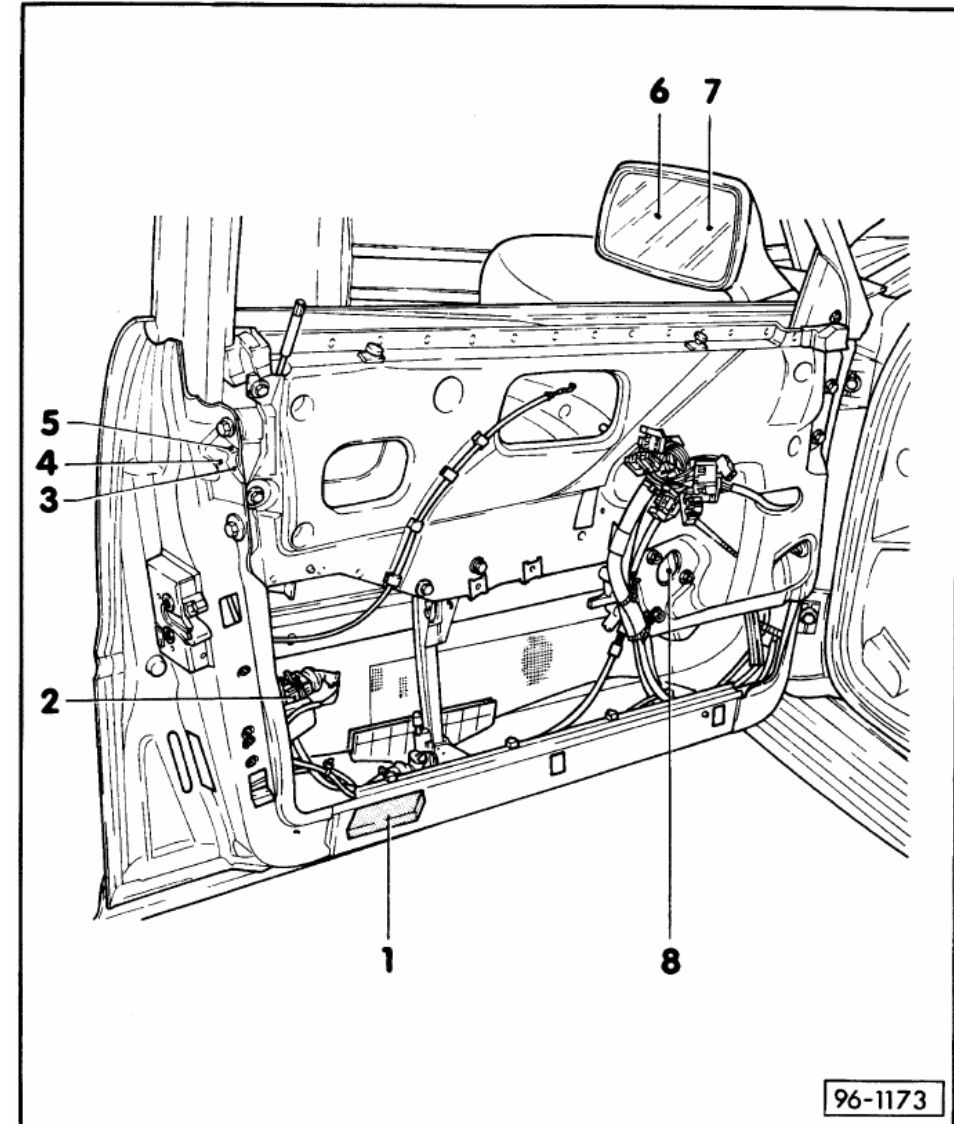
1. Rear Auxiliary Relays
2. N/A
3. N/A
4. Rear Differential Lock (**J187**)
5. N/A
6. N/A
7. Servotronic Control (**J236**) – Not S2/RS2





Avant / Sedan, Doors

1. Control unit for heated door locks, left/right = **J210/J211**
2. Switch for central locking, left/right = **F59/F114**
3. Switch for heated door locks, left/right = **E125/E126**
4. Heated element for locks, left/right = **Z22/Z23**
5. Switch for anti-theft alarm, left/right = **F121/F122**
6. Heated element for door mirror, left/right = **Z4/Z5**
7. Motor for adjustable mirror, left/right = **V17/V25**
8. Motor for electric windows, left/right = **V14/V15**

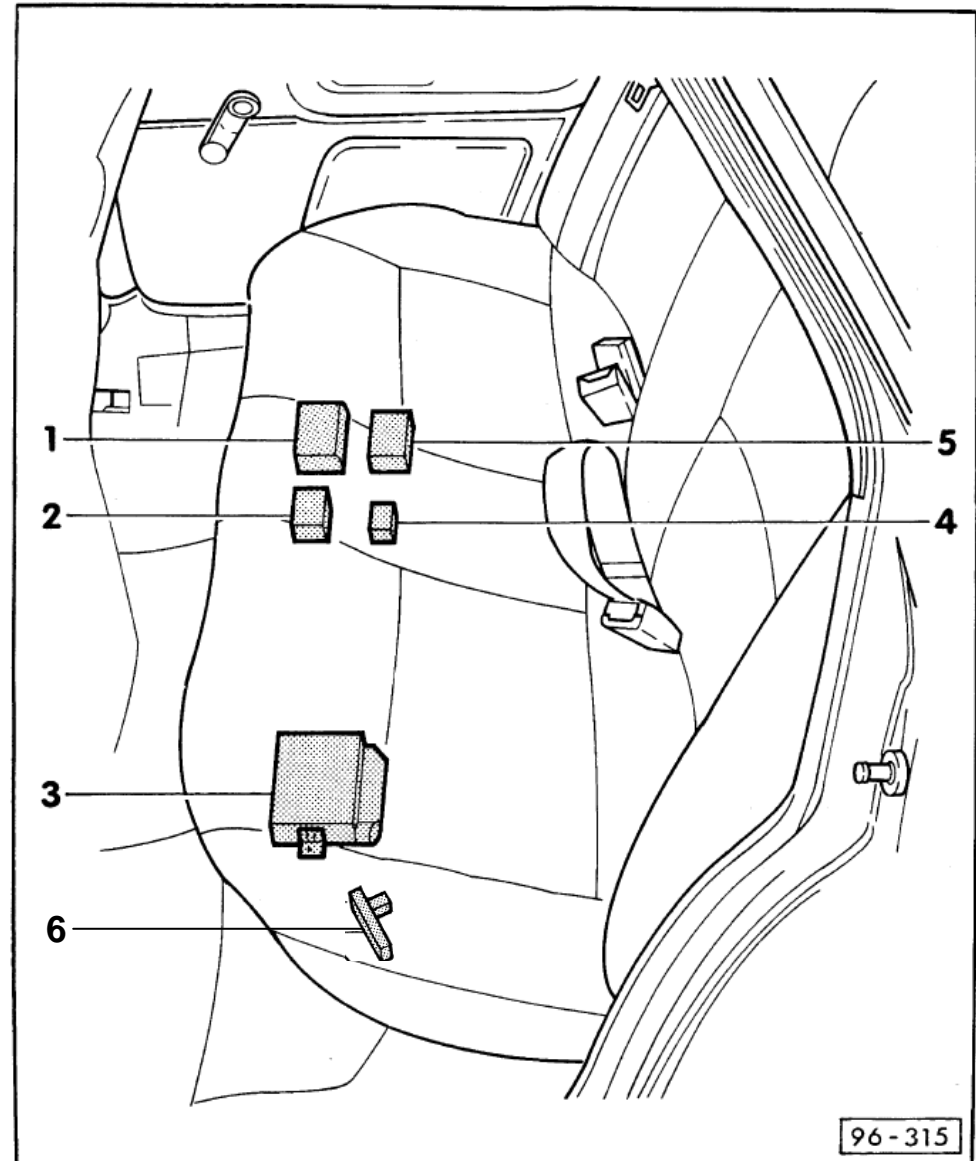


Note: Items 1-5 may not align correctly.



B3 Sedan, Under Rear Seats

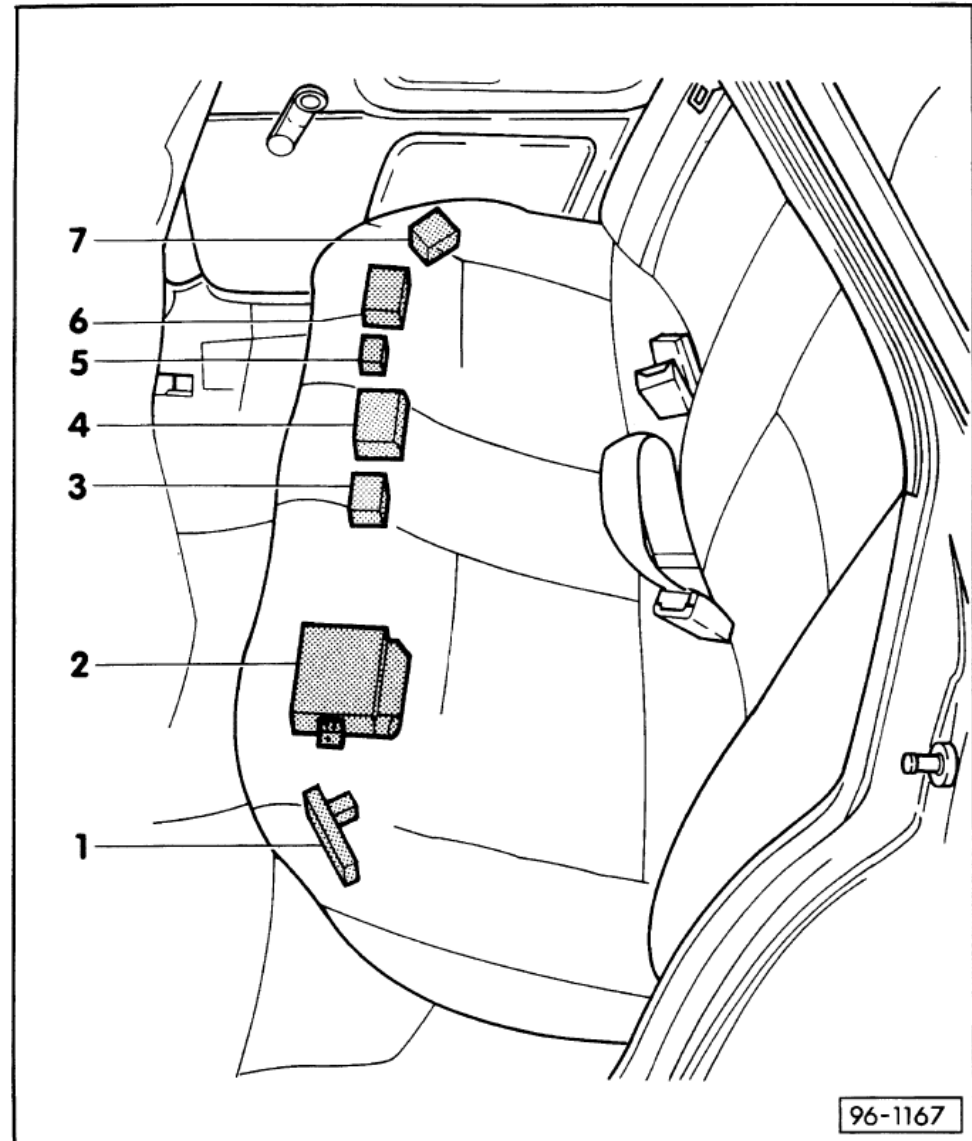
1. Rear Differential Lock (**J187**)
2. Accelerometer switch for early ABS on 4WD, up to 07/92 (**F113**)
3. ABS Control Unit (**J104**)
4. Airbag Transformer (**N96**), up to 10/92
5. Reserve battery for airbag (**J177**), up to 10/92
6. (Rear Auxiliary Relays)





B4 Sedan, Under Rear Seats

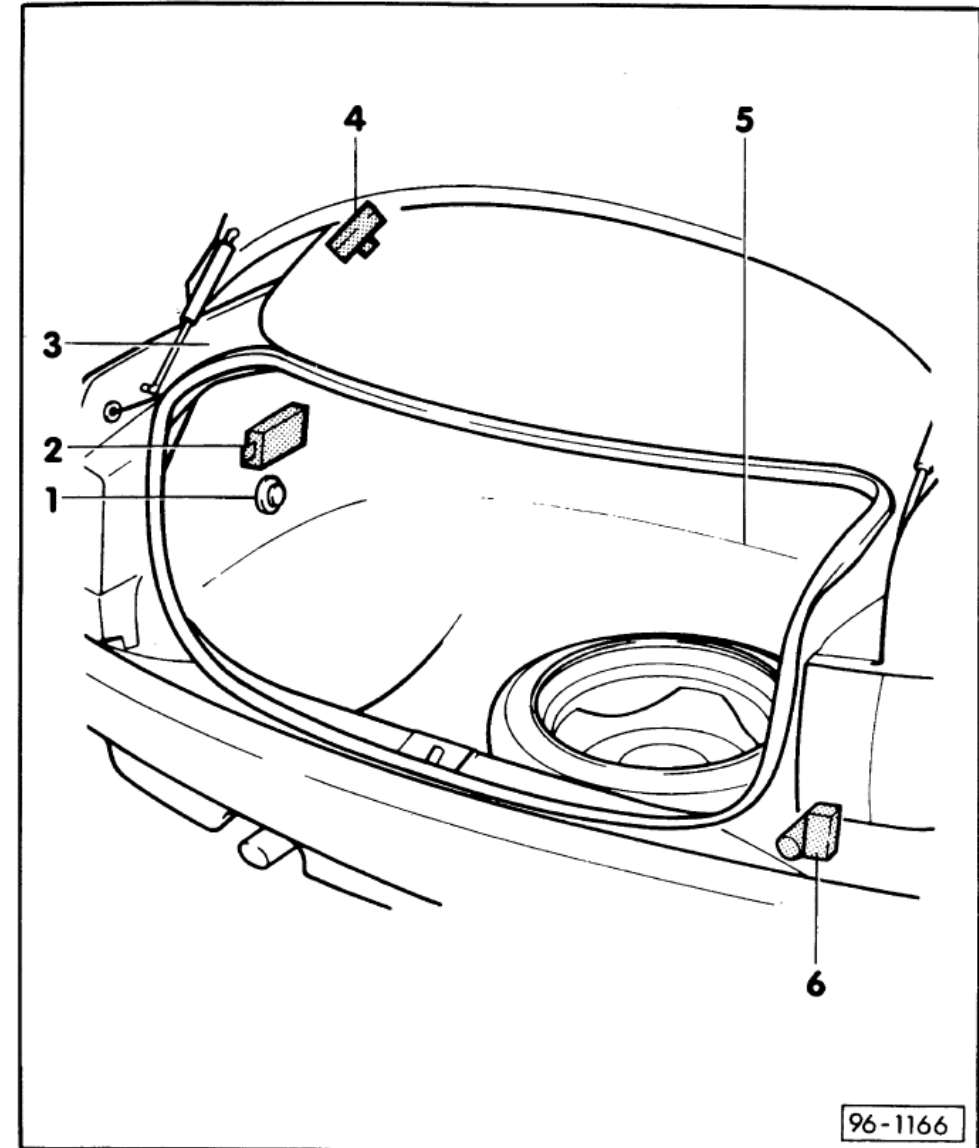
1. Rear Auxiliary Relays
2. ABS Control Unit (**J104**)
3. Accelerometer switch for early ABS on 4WD, up to 07/92 (**F113**)
4. Rear Differential Lock (**J187**)
5. Airbag Transformer (**N96**), up to 10/92
6. Reserve battery for airbag (**J177**), up to 10/92
7. Servotronic Control (**J236**) – Not S2/RS2





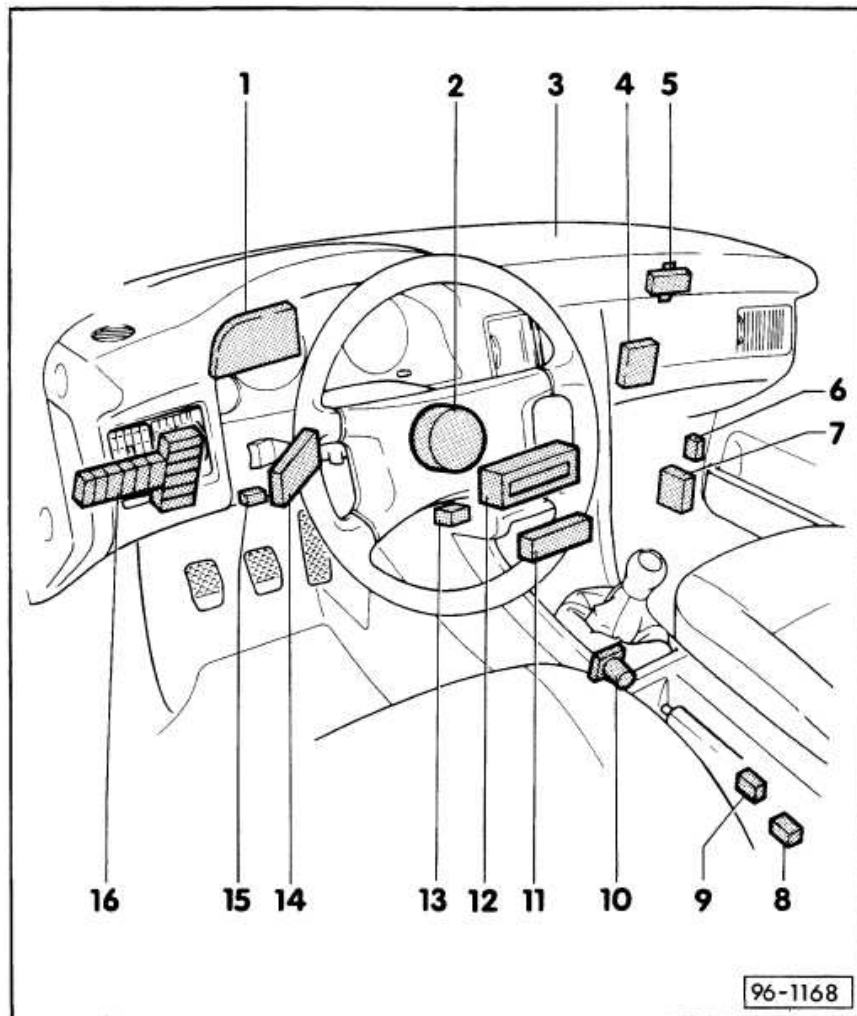
Sedan, Luggage Compartment

1. Horn (**H8**)
2. Rear bulb monitor (**J124**) for vehicles with Autocheck
3. Aerial (**V21/R11**)
4. Aerial booster, for rear screen antenna (R24)
5. Fuel pump and fuel gauge sender, below cover (**G, G6**)
6. Central locking pump (**V94**)





LHD – Cabin, All B3/B4 Variants



1. On-board computer / Autocheck
2. Airbag Igniter (N95)
3. Climate temp sensor
4. ECU (all other engines)
5. Cruise Control (J213)
6. Altitude Sensor (F96)
7. ECU (NG engine only)
8. Buzzer (older Automatics only)
9. Handbrake warning switch (F9)
10. Magnet for auto level lock (N110)
11. Airbag triggering unit (J178)
12. Climate head-unit
13. Instrument illumination booster (J166)
14. ECU for automatic transmission (J217)
15. Relay for indicators (J2)
16. Front auxiliary relay panel



END

**Please send any comments,
questions or corrections to
S2central@mac.com**