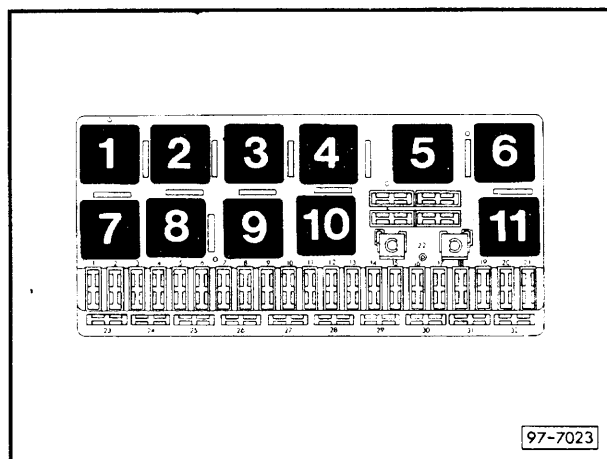


# Electric window lifters and vent windows, Audi Coupé

from July 1993

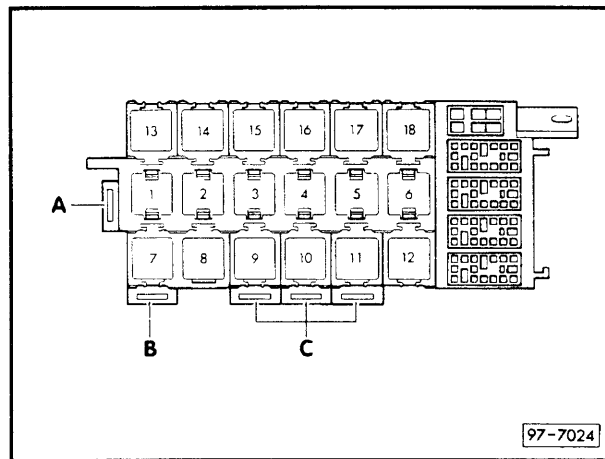
Position of relays  
also see "Fitting Locations"

Relay plate with fuse holder:



Position of relays:

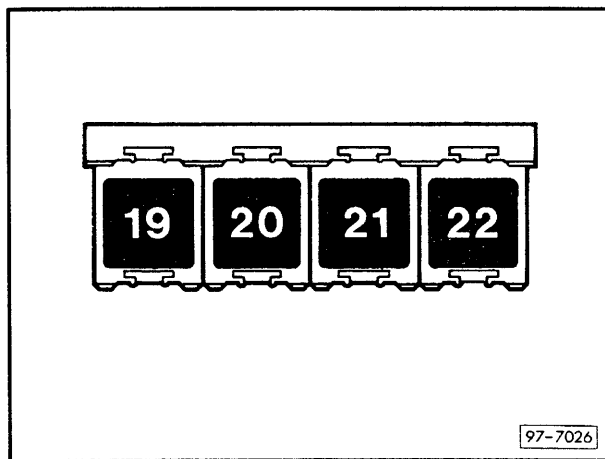
Auxiliary relay carrier, front  
(under dash panel, left)



Position of relays:

- 5** } Control unit for electric window lifters and vent windows
- 6** }

Auxiliary relay carrier, rear  
(under rear seat bench, left)

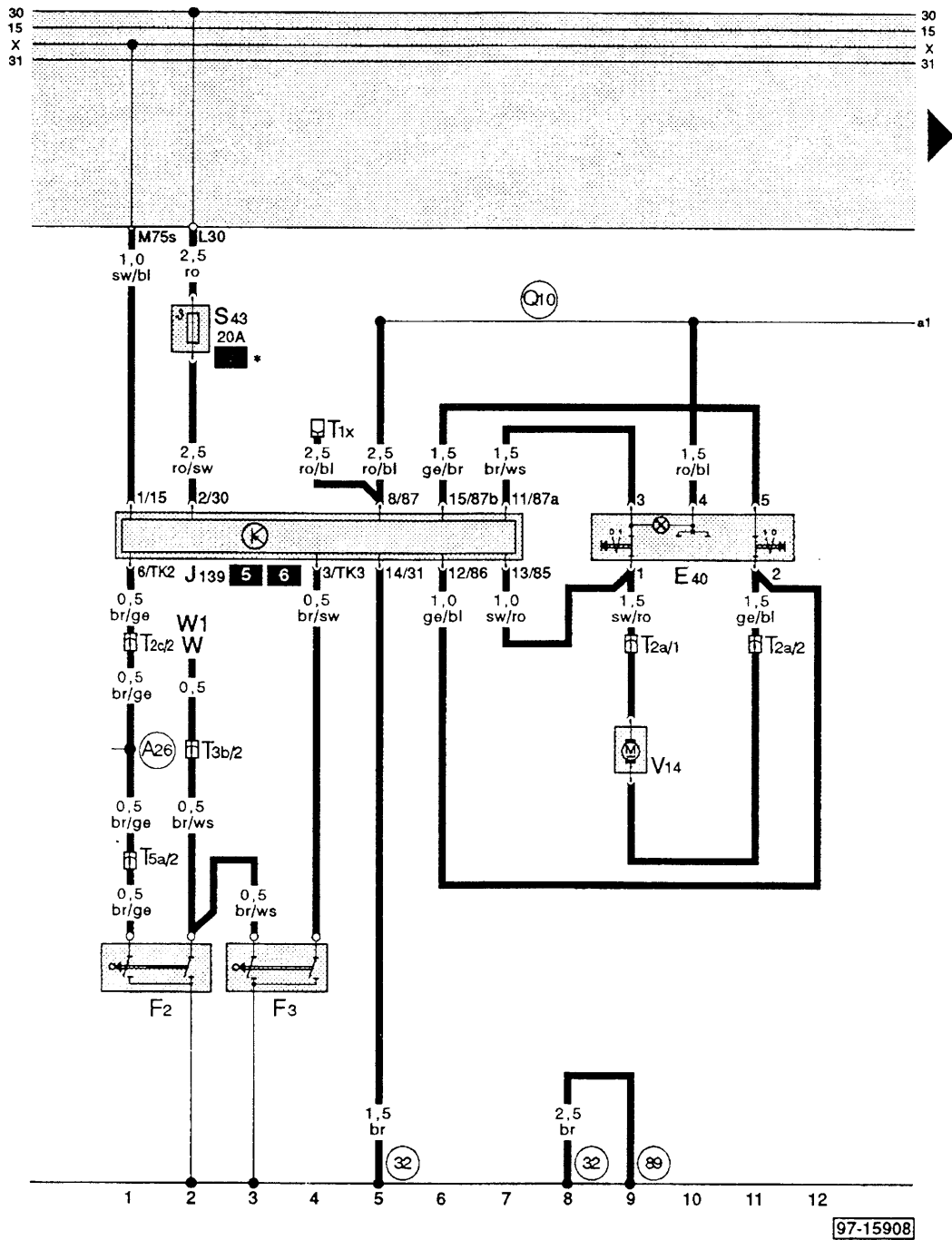


Position of relays:

**Fuse colours**

- 30 A – green
- 25 A – white
- 20 A – yellow
- 15 A – blue
- 10 A – red
- 5 A – beige

Electric window lifters and vent windows



Wiring colours:

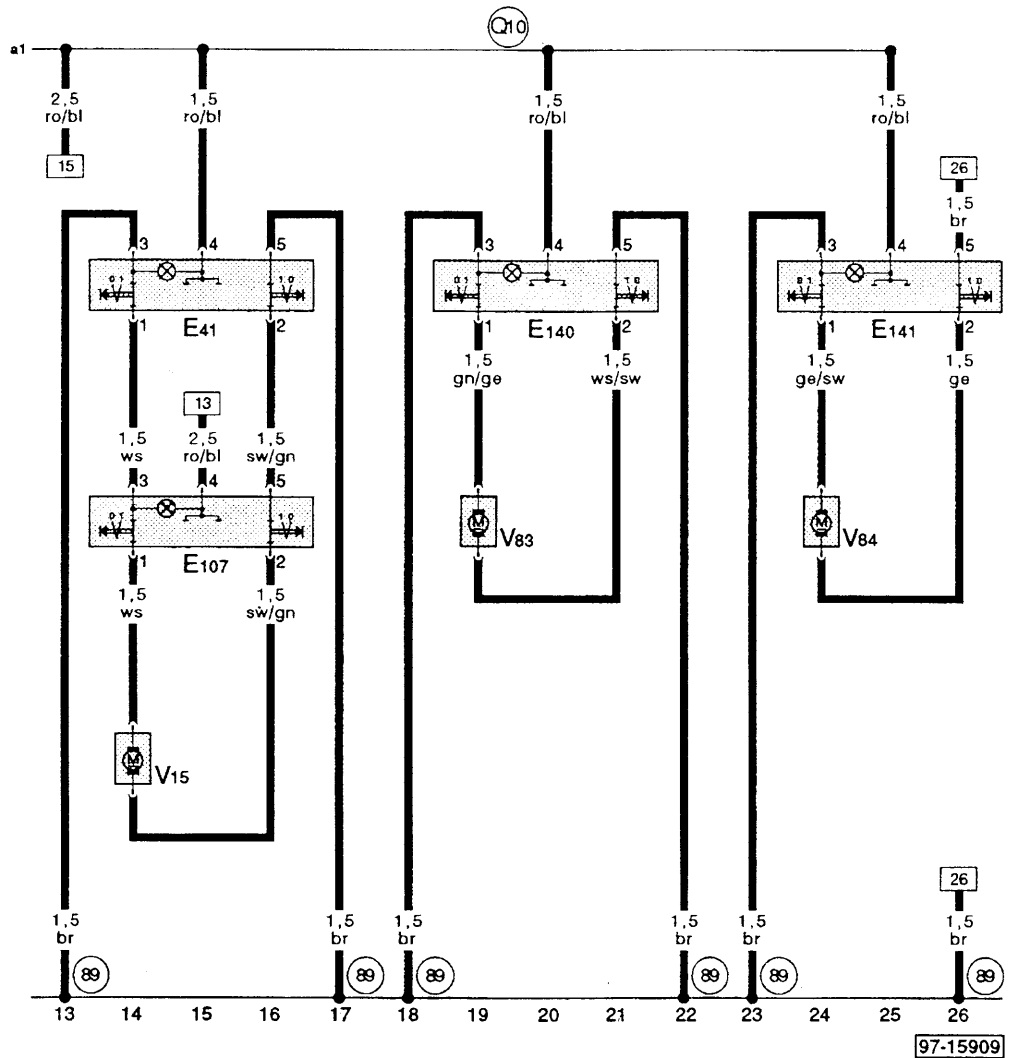
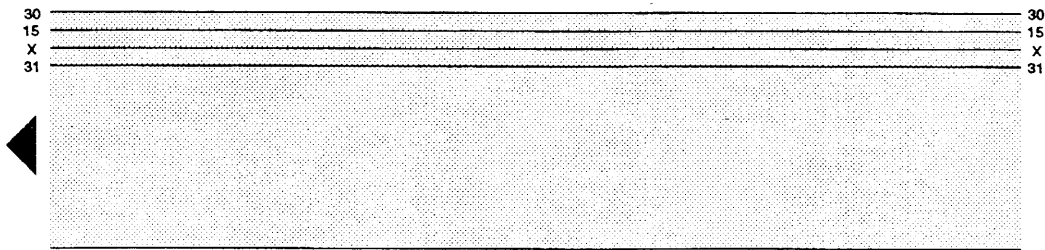
- bl = blue
- br = brown
- ge = yellow
- gn = green
- gr = grey
- li = purple
- ro = red
- sw = black
- ws = white

- E 40 – Window lifter switch, front left
- F 2 – Front left door contact switch
- F 3 – Front right door contact switch
- J 139 – Control unit for window lifter/vent wings and sliding roof
- S 43 – Window lifter thermo fuse
- T 1x – Connector single, green, behind dash panel, left
- T 2a – Connector 2 pin, in driver's door
- T 2c – Connector 2 pin, white, behind dash panel, left
- T 3b – Connector 3 pin, green, behind dash panel, left
- T 5a – Connector 5 pin, brown, connector point in aux. relay carrier
- V 14 – Motor for window lifter, left
- W – Interior light, front
- W 1 – Interior light, rear
- Ⓣ – Earth point, behind dash panel, left
- Ⓢ – Earth connection – 1 –, in window lifter wiring loom

- Ⓣ – Connection (door contact switch/driver side), in dash panel wiring loom
- Ⓢ – Positive (+) connection (87), in window lifter/central locking and door contact switch wiring loom
- \* – insert on any free relay position

97-15908

### Electric window lifters and vent windows



#### Wiring colours:

bl = blue  
 br = brown  
 ge = yellow  
 gn = green  
 gr = grey  
 li = purple  
 ro = red  
 sw = black  
 ws = white

- E 41 – Window lifter switch, front right
- E 107 – Switch for window lifter (in passenger's door)
- E 140 – Switch for vent wing, left
- E 141 – Switch for vent wing, right
- V 15 – Window lifter motor, right
- V 83 – Motor for vent wing, left
- V 84 – Motor for vent wing, right
- Ⓢ – Earth connection – 1 –, in window lifter wiring loom
- Ⓠ – Positive (+) connection (87), in window lifter/central locking and door contact switch wiring loom