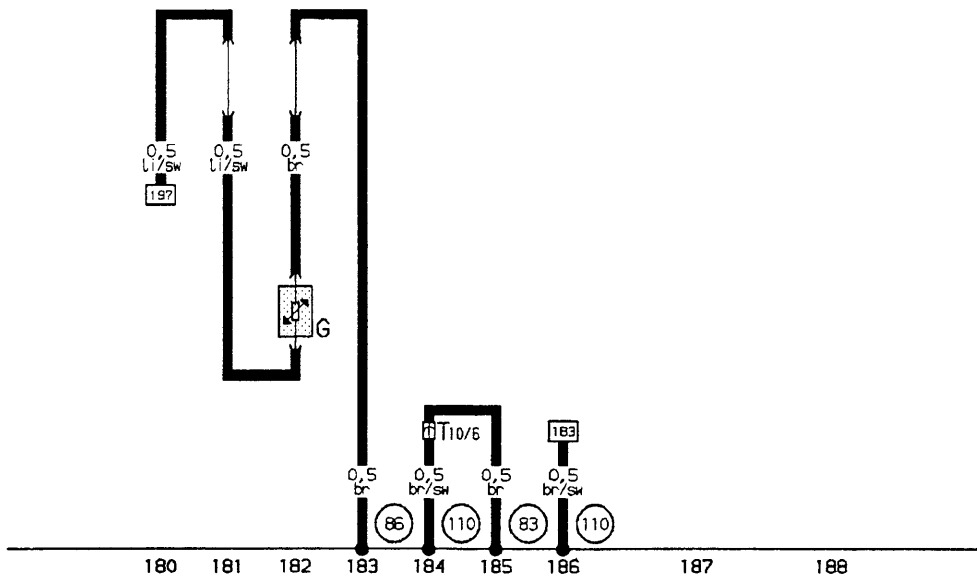
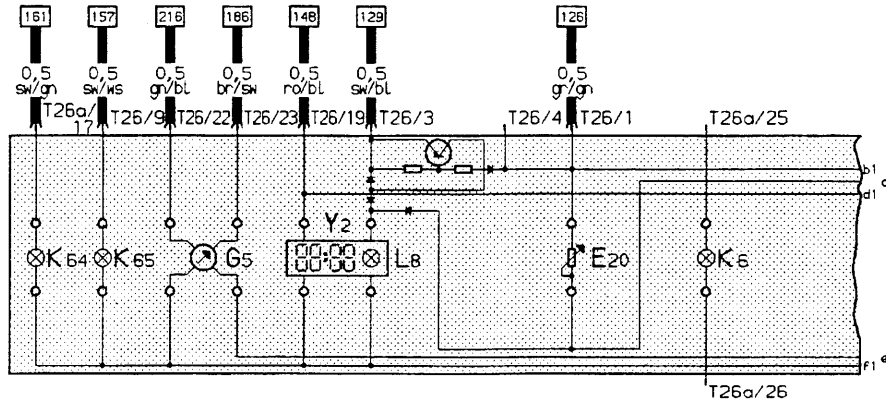
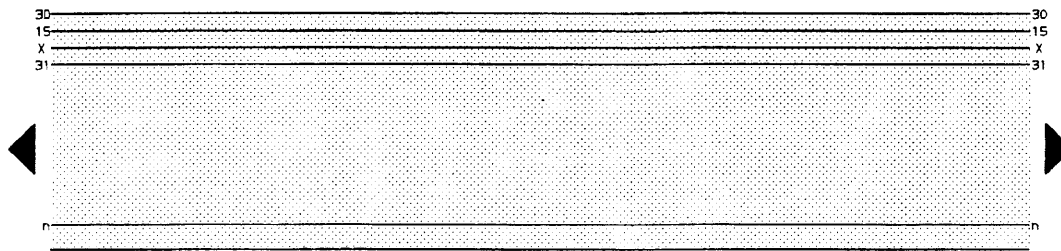


Dash panel insert, rev. counter, digital clock, control for instrument lighting



Wiring colours:

- bl = blue
- br = brown
- ge = yellow
- gn = green
- gr = grey
- li = purple
- ro = red
- sw = black
- ws = white

97-7166

- E 20 – Switches and instruments – lighting control
- G – Fuel gauge sender
- G 5 – Rev. counter
- K 6 – Emergency light system warning lamp
- K 64 – Emergency light and right turn signal warning lamp
- K 65 – Left turn signal warning lamp
- L 8 – Clock light bulb
- T 10 – Connector 10 pin, black, connector point in aux. relay carrier
- T 26 – Connector 26 pin, yellow, on dash panel insert
- T 26a – Connector 26 pin, blue, on dash panel insert
- Y 2 – Digital clock
- Ⓢ – Earth connection – 1 –, in front right wiring loom
- Ⓢ – Earth connection – 1 –, in rear wiring loom
- Ⓢ – Earth connection – 2 –, in dash panel wiring loom